



Tradition in Dynamic Innovation



Lifting / Lashing Points

Edition 01 // EN

Professionally designed  
for every construction



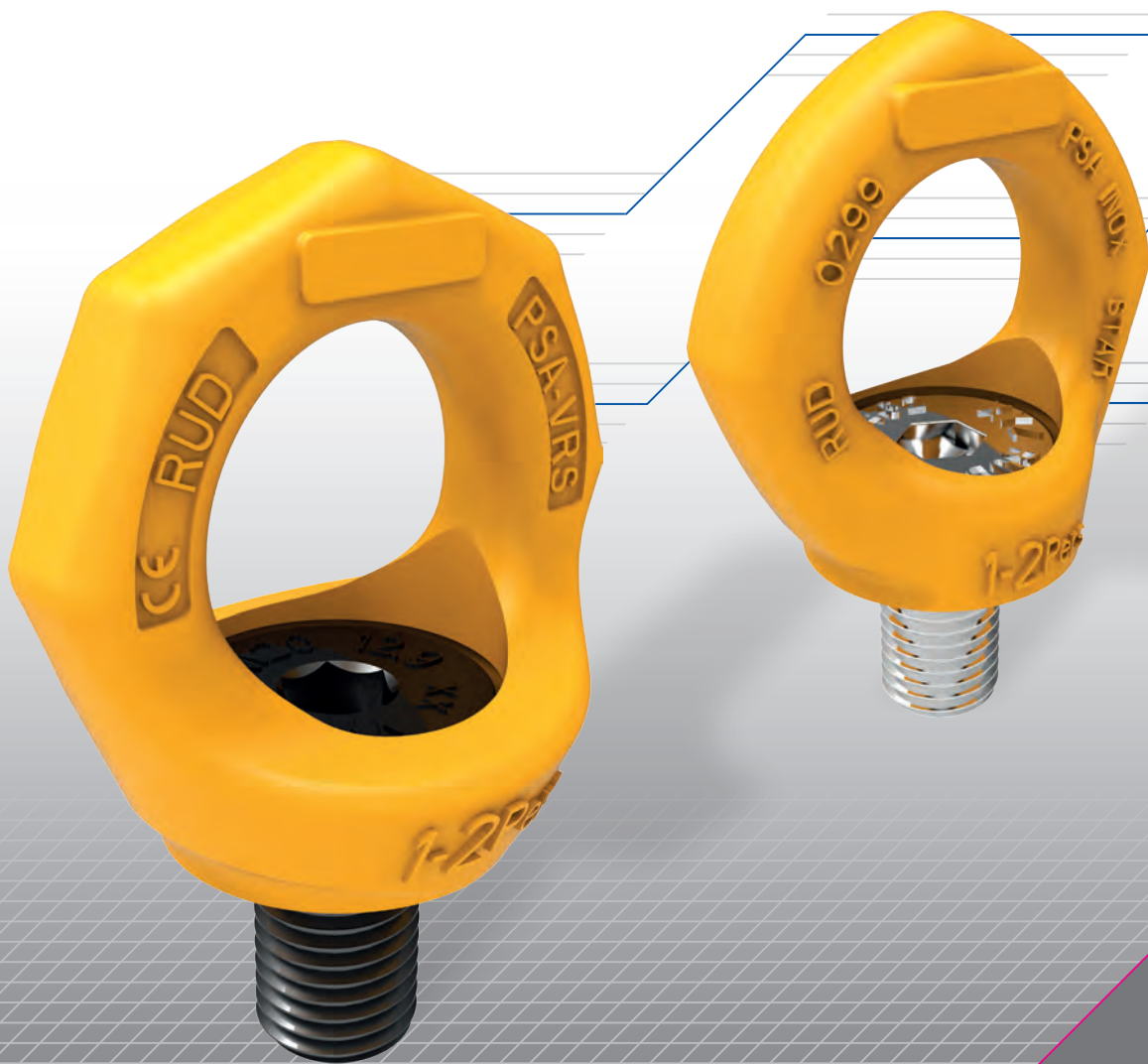






# Fall Protection Anchorage Points





# PSA-VRS // -INOX-STAR

Fall Protection Anchorage Points  
Vario eye bolt

Fall Protection Anchorage Points  
INOX-STAR eye bolt



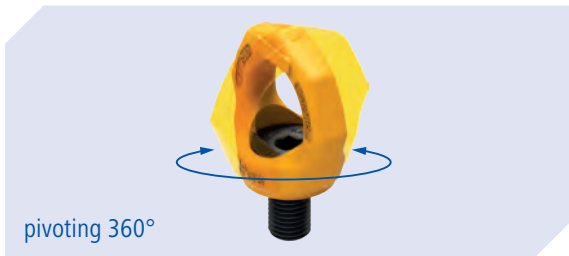
Rotating 360°

Tested and certified by  
faculty PSA of DGUV.

PSA-INOX-STAR made  
of stainless steel

## The life-savers





PSA lifting point made of stainless steel.



## PSA-INOX-STAR

## PSA-VRS

The VRS as a fall protection anchorage point.



# Product features PSA-VRS // -INOX-STAR



only PSA-VRS



- ✓ **Lifting points pivots 360°.**
- ✓ **Fall arrest protection.** Statement for number of persons which can be secured.
- ✓ **Non removable special bolt** (this reduces the risk of improper standard bolts).
- ✓ Available as:
  - Standard Metric Thread (DIN EN 13)
  - Coarse Pitch Thread UNC (ANSI B1.1)
- ✓ According to EG Directive 89/686/EWG. Exceeds the requirements of DIN EN 795. Marking corresponds to DIN EN 365.
- ✓ Tested and certified by faculty PSA of DGVU.
- ✓ DGVU approval for attachment to steel and with blind rivet nuts.
- ✓ **PSA-INOX-STAR:**
  - **Pentagonal shape for a clear determination to common lifting points (i.e. eye bolts).**
  - Body and bolt made out of Duplex Steel 1.4462 (high resistancy in sea water and in environment with a high concentration of chlorine ions.
  - Component is allowed to be used in outdoor applications.

## PSA-VRS

Fall Protection Anchorage Points  
Vario eye bolt



## -INOX-STAR

Fall Protection Anchorage Points  
INOX-STAR eye bolt






### Application-specific features PSA-VRS / PSA-INOX-STAR



- ✓ Quick and easy installation with just one bolt connection.
- ✓ Hand tightening with appropriate wrench is sufficient for a singular lift.

Other important RUD specific information and specialities to our RUD lifting points can be found on page 20 and in the specific user instruction ([www.rud.com](http://www.rud.com)).

**PSA-STARPOINT VRS // metric thread / UNC inch thread**

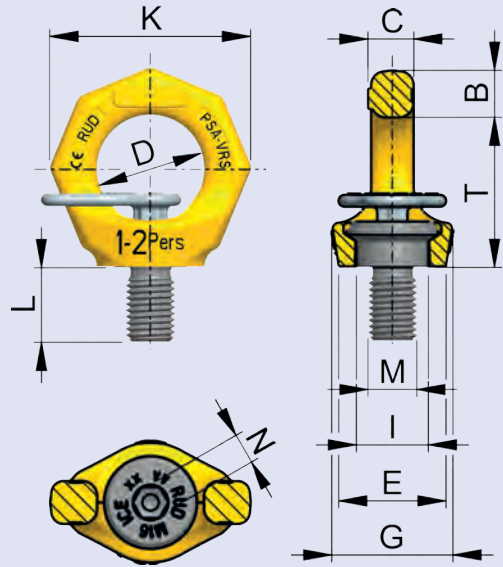
Type	WLL	weight [kg/pc.]	T [mm]	B [mm]	C [mm]	D [mm]	E [mm]	G [mm]	I [mm]	
<b>PSA-VRS – Fall Protection Anchorage Points Vario Eye bolt – metric</b>										
	PSA-VRS M12	1 p.	0.2	42	14	12	30	30	34	20
	PSA-VRS M16	2 p.	0.3	50	16	15	35	35	40	24
	PSA-VRS M20	2 p.	0.5	57	19	17	40	43	54	30
<b>PSA-VRS – Fall Protection Anchorage Points Vario Eye bolt – metric, longer vario bolt</b>										
	PSA-VRS M12	1 p.	0.2	42	14	12	30	30	34	20
	PSA-VRS M16	2 p.	0.3	50	16	15	35	35	40	24
<b>PSA-VRS – Fall Protection Anchorage Points Vario Eye bolt – UNC inch thread</b>										
	PSA-VRS 1/2"-13UNC	1 p.	0.2	42	14	12	30	30	34	20
	PSA-VRS 5/8"-11UNC	2 p.	0.3	50	16	15	35	35	40	24
	PSA-VRS 3/4"-10UNC	2 p.	0.5	57	19	17	40	43	54	30

**PSA-INOX-STAR // metric thread**

Type	WLL	weight [kg/pc.]	T [mm]	B [mm]	C [mm]	D [mm]	E [mm]	G [mm]	I [mm]	
<b>PSA-INOX-STAR – Fall Protection Anchorage Points Stainless Eye bolt – metric</b>										
	PSA-INOX-STAR M12	1 p.	0.19	43	14	12	30	30	32	18
	PSA-INOX-STAR M16	2 p.	0.31	50	16	15	35	35	38	22
	PSA-INOX-STAR M20	2 p.	0.56	57	19	17	40	43	47	28
<b>PSA-INOX-STAR – Fall Protection Anchorage Stainless Eye bolt – metric, long bolt</b>										
	PSA-INOX-STAR M12 L=50	1 p.	0.22	43	14	12	30	30	32	18
	PSA-INOX-STAR M16 L=50	2 p.	0.4	50	16	15	35	35	38	22
	PSA-INOX-STAR M20 L=60	2 p.	0.6	57	19	17	40	43	47	28

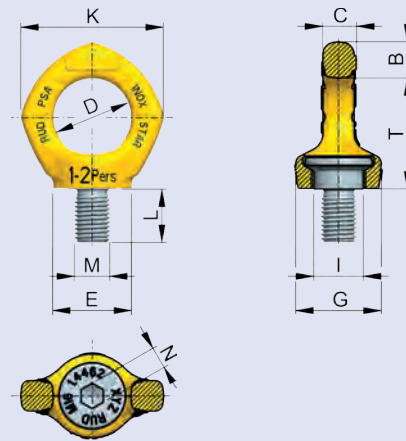


K [mm]	L [mm]	M	N [mm]	torque [Nm]	Ref. No.
56	18	M12	8	25	7997100
65	24	M16	10	60	7997854
74	30	M20	12	115	7900920
56	18-150	M12	8	25	8600400
65	24-120	M16	10	60	8600401
56	18	1/2"-13UNC	5/16"	25	7997103
65	24	5/8"-11UNC	3/8"	60	7998659
74	30	3/4"-10UNC	1/2"	115	7903367



subject to technical modifications

K [mm]	L [mm]	M	N [mm]	torque [Nm]	Ref. No.
56	18	M12	8	25	7997097
65	24	M16	10	60	7996757
74	30	M20	12	115	7900921
56	50	M12	8	25	7997820
65	50	M16	10	60	7904107
74	60	M20	12	115	7901252



subject to technical modifications



RUD Ketten  
Rieger & Dietz GmbH u. Co. KG  
Friedensinsel  
73432 Aalen / Germany  
Tel. +49 7361 504-1371 / Fax. +49 7361 504-1460  
slings@rud.com / www.rud.com



Engineered and made  
in the heart of Europe!

